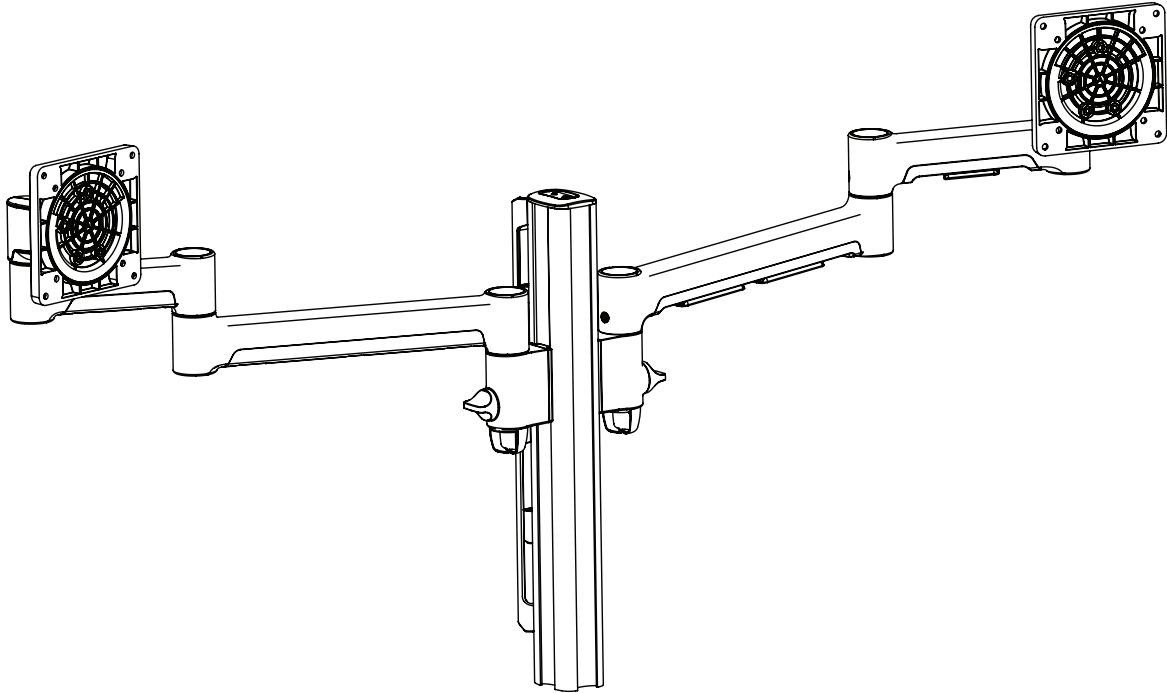


Dual Monitor Mount on 400 Post



INDEX

| | |
|--|--------|
| Component Checklist | Page 2 |
| AWM-P40G AWM 400 Post with Guide Marks | Page 3 |
| AWM-A71T AWM 710 Arm | Page 3 |
| AWM-A46T AWM 460 Arm | Page 3 |
| Cable Management | Page 8 |

INSTALLATION NOTE

- This solution uses a 'hybrid' Arm assembled onsite by the installer using modular components from the AWM-A46T (A46T) & AWM-A71T (A71T) SKUs. There is no AWM-A59 SKU.
- A Link from the A71T is used as the Lower Link, and the A46T used for the upper. This solution assumes the Arms are used in pairs - refer to installation instructions below.

IMPORTANT INFORMATION

- ! **Please ensure this product is installed as per these installation instructions.**
- ! **Do not remove or throw away the plastic sleeve on the arm link and channel clamp.**
- ! The manufacturer accepts no responsibility for incorrect installation.
- ! This product is not suitable for outdoor use or mobile applications
- ! Do not over-tighten screws and adjustment points on product.
- ! Periodic adjustment to counterbalance and tilt tension may be required.
- ! VESA mounted accessories (such as mini PC brackets and mounts), offset VESA locations, and unevenly weighted monitors (relative to the center of the VESA mounting interface) exert additional leverage that can exceed the capacity of the mount even though the monitor weight may be within the stated range. Please contact Atdec if you would like further information.



REQUIRED TOOLS

- Phillips Head Screwdriver

CAPACITY

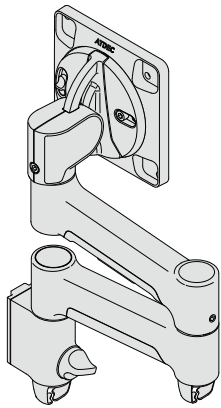
- Flat Display Weight**
0 - 9kg (0 - 20lbs)
- Curved Display Weight**
0 - 9kg (0 - 20lbs)
- Display Depth**
Up to 140mm (5.5")
- Display Size**
Up to 34"

A display must meet each of the weight, depth and size specifications to be compatible.

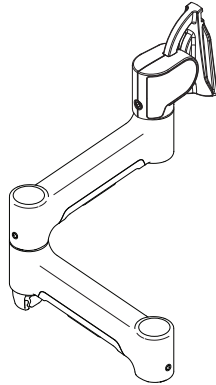
Display weight should be within the weight range of all modular elements that make up the complete monitor mounting solution.

COMPONENT CHECKLIST

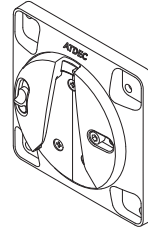
AWM-A46T AWM 460 Arm
Product Quantity 1



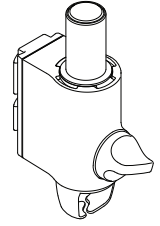
! *Note: A46T is to be separated into its individual components by the installer.*



A
Monitor Arm
(x1)



B
VESA Head
(x1)



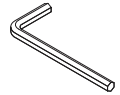
C
Channel Clamp
(x1)



D
Screw
M4x10mm
(x4)

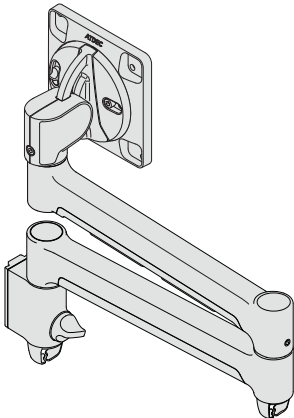


E
Security
Screw
(x1)

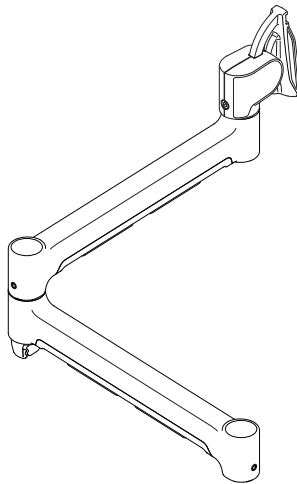


F
4mm
Hex Key
(x1)

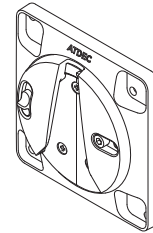
AWM-A71T AWM 710 Arm
Product Quantity 1



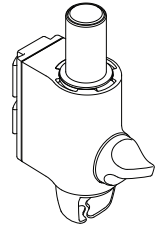
! *Note: A71T is to be separated into its individual components by the installer.*



A
Monitor Arm
(x1)



B
VESA Head
(x1)



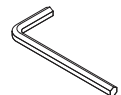
C
Channel Clamp
(x1)



D
Screw
M4x10mm
(x4)

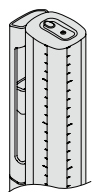


E
Security
Screw
(x1)



F
4mm
Hex Key
(x1)

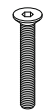
AWM-P40G 400 Post
Product Quantity 1



A
Post
(x1)



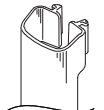
B
Post
Cap
(x1)



C
Screw
M8
(x2)



D
Cable Cover
Cap
(x4)



E
Cable
Cover
(x2)

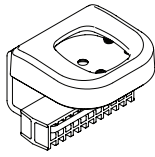
INSTALLATION STEPS

1. Attach post to fixing

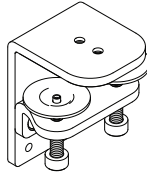
1.1 Follow the installation guide provided with your fixing to attach it to the post and fit it to the worksurface.



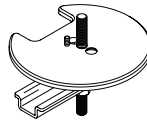
C CLAMP
AWM-FC



HEAVY DUTY F CLAMP
AWM-FH



GROMMET CLAMP
AC-GC

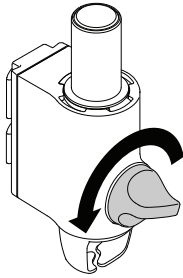


Above are the fixing options available for this solution. Fixing installation guides are supplied with the product or can be accessed through Atdec's website, along with detailed product specifications.

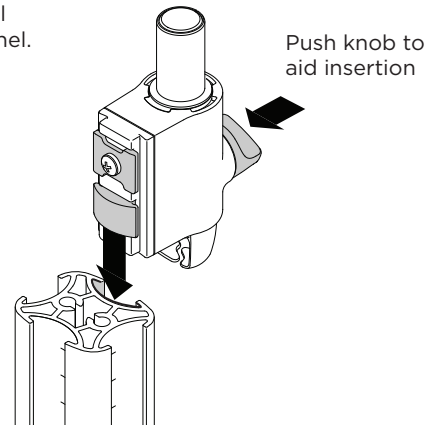
NOTE: Chosen desk fixing must be added to this solution code when ordering.

2. Attach channel clamps to post

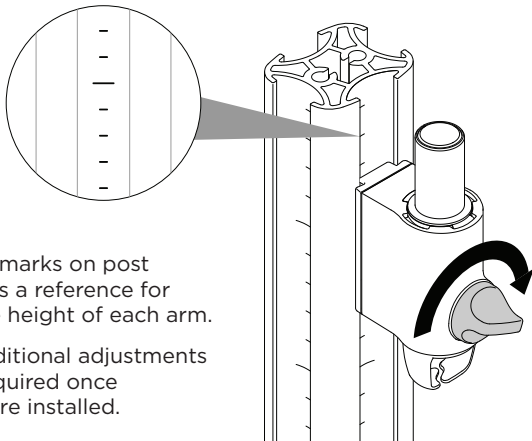
2.1 Ensure knob is undone.



2.2 Slide channel clamp into channel.



2.3 Hold clamp in desired position on channel and turn knob to lock in place.

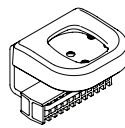


Use guide marks on post channels as a reference for setting the height of each arm.

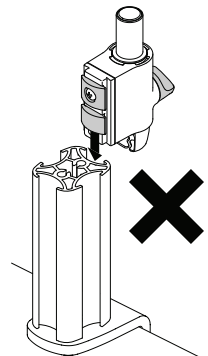
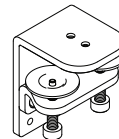
NOTE: Additional adjustments may be required once monitors are installed.

NOTE: Do not mount monitor arm on rear channel post when using the following desk clamps:

AWM-FC

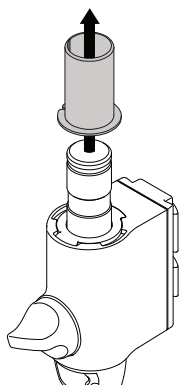
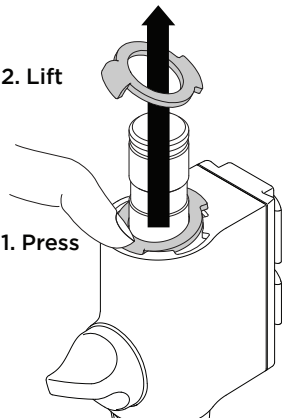
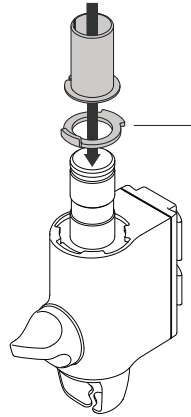


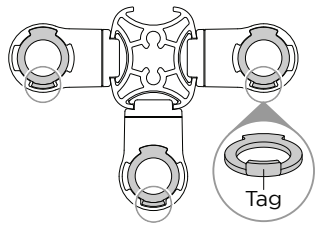


AWM-FH

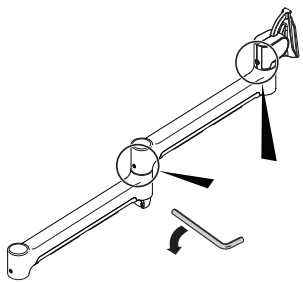
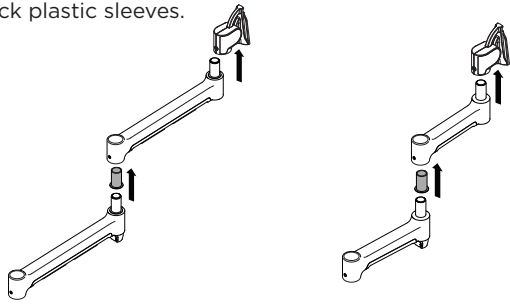
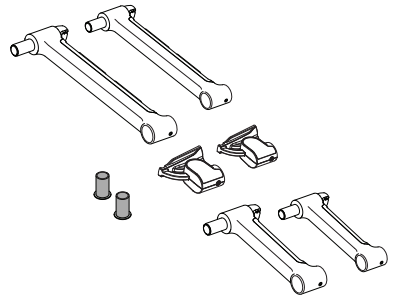


3. (OPTIONAL) Set arm rotation to 180°

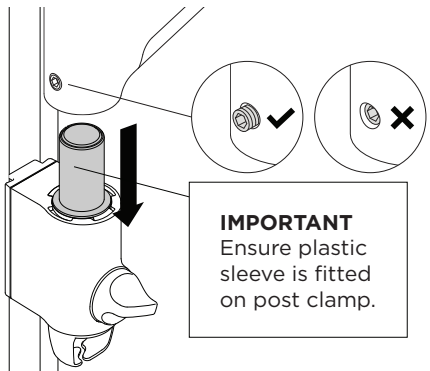
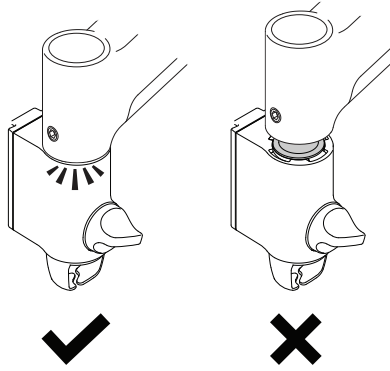
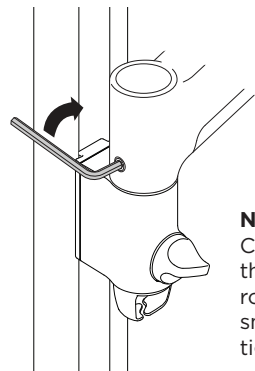
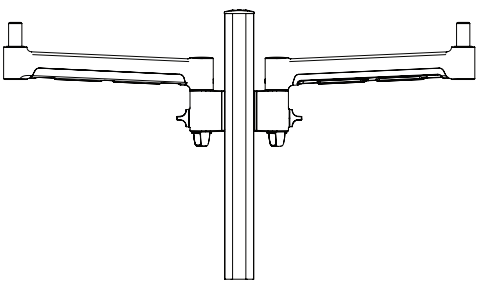
NOTE: Rotation is set to 360° by default.

| | | | |
|---|--|--|---|
| <p>3.1 Remove plastic sleeve from channel clamp.</p>  | <p>3.2 Remove rotation ring.</p> <p>2. Lift</p> <p>1. Press</p>  | <p>3.3 Place rotation ring in desired position and replace plastic sleeve.</p>  <div data-bbox="925 280 1077 683"> <p>Default Position</p>  <p>360°</p> <p>OR</p>  <p>180°</p> <p>Flipped Position</p> </div> |  <p>NOTE: Rotation ring placement depends on the position of the clamp on the post. The tag on the ring should always face toward the user.</p> |
|---|--|--|---|

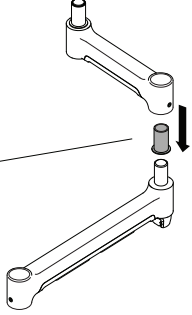
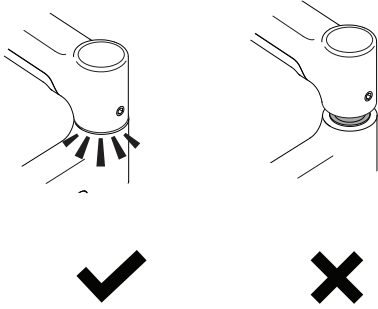
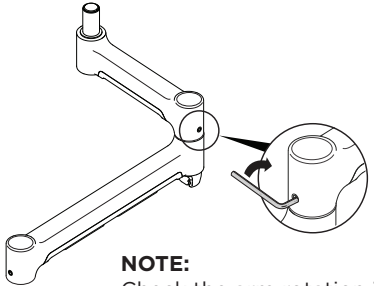
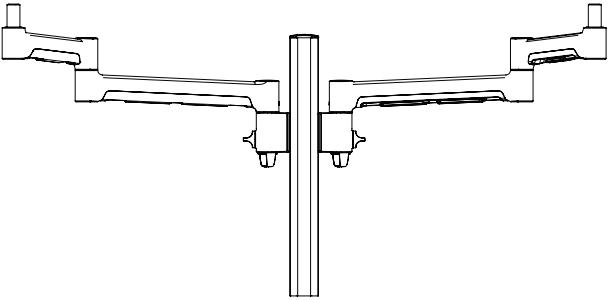
4. Separation of arm components

| | | |
|--|--|---|
| <p>4.1 Slightly loosen joint screws at the elbow and the tilt head, for both short and long arms</p>  | <p>4.2 Separate the arm links and tilt heads from each other for both short and long arms. Separate the black plastic sleeves.</p>  <p>NOTE: If components are stiff to separate, loosen off the joint screw slightly.</p> | <p>4.3 Lay the shorter links, the longer links, the tilt heads, and the plastic sleeves together.</p>  |
|--|--|---|

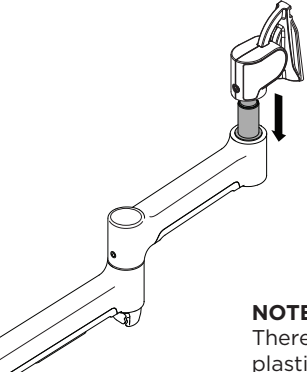
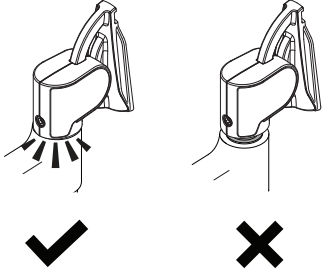
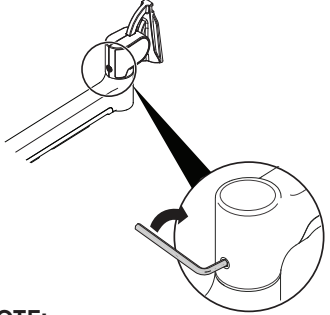
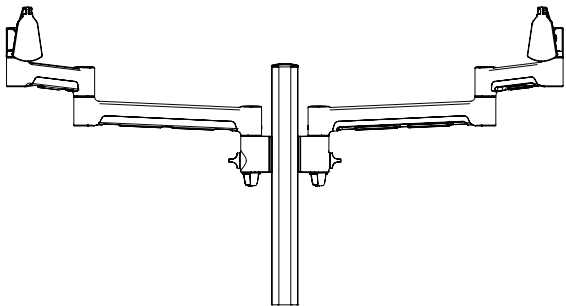
5. Attach longer arm links onto channel clamps

| | | |
|---|---|---|
| <p>5.1 Push the A71T link onto shaft.</p>  <p>IMPORTANT Ensure plastic sleeve is fitted on post clamp.</p> | <p>5.2 Ensure arm is fully pushed onto shaft.</p>  | <p>5.3 Tighten joint screw.</p>  <p>NOTE: Check the arm rotation is smooth after tightening.</p> |
| <p>Current layout at this stage:</p>  | | |

6. Attach shorter arm links onto longer arm links

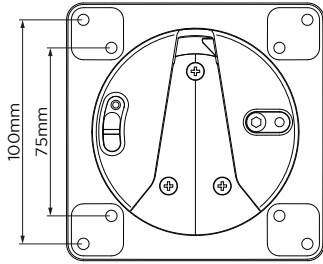
| | | |
|---|---|---|
| <p>6.1 Slide the plastic sleeves onto the A71T arm links, then attach the shorter arm links onto larger arm links.</p>  <p>IMPORTANT Ensure plastic sleeve is fitted on longer arm link.</p> | <p>6.2 Ensure arm is fully pushed onto shaft.</p>  | <p>6.3 Tighten joint screw.</p>  <p>NOTE: Check the arm rotation is smooth after tightening.</p> |
| <p>Current layout at this stage:</p>  | | |

7. Attach tilt heads to shorter arm links.

| | | |
|--|---|---|
| <p>7.1 Attach tilt heads onto shorter arm links.</p>  <p>NOTE There should be no plastic sleeve here.</p> | <p>7.2 Ensure tilt heads are fully pushed onto shaft</p>  | <p>7.3 Tighten joint screw.</p>  <p>NOTE: Check the arm rotation is smooth after tightening.</p> |
| <p>Current layout at this stage:</p>  | | |

8. Attach VESA head to monitors

8.1 Check VESA mounting compatibility of monitor.

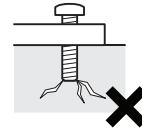


NOTE: Ensure screw length suits the monitor VESA mounting holes.

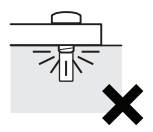
OK



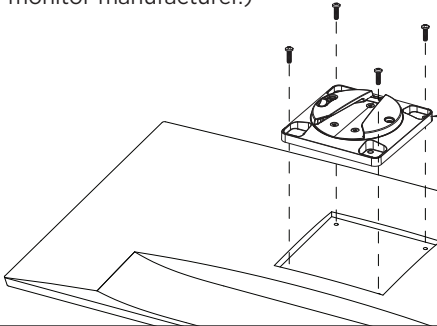
Too long



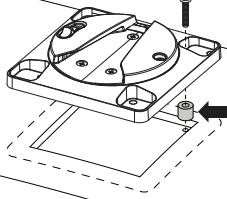
Too short



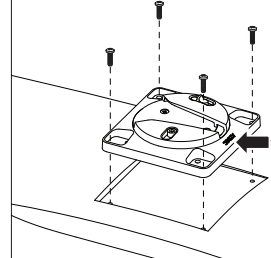
8.2 Attach VESA head onto monitor with provided screws. (Alternatively, use fasteners specified by the monitor manufacturer.)



NOTE: Recessed 75x75 VESA interfaces will require a Spacer Kit (sold separately)



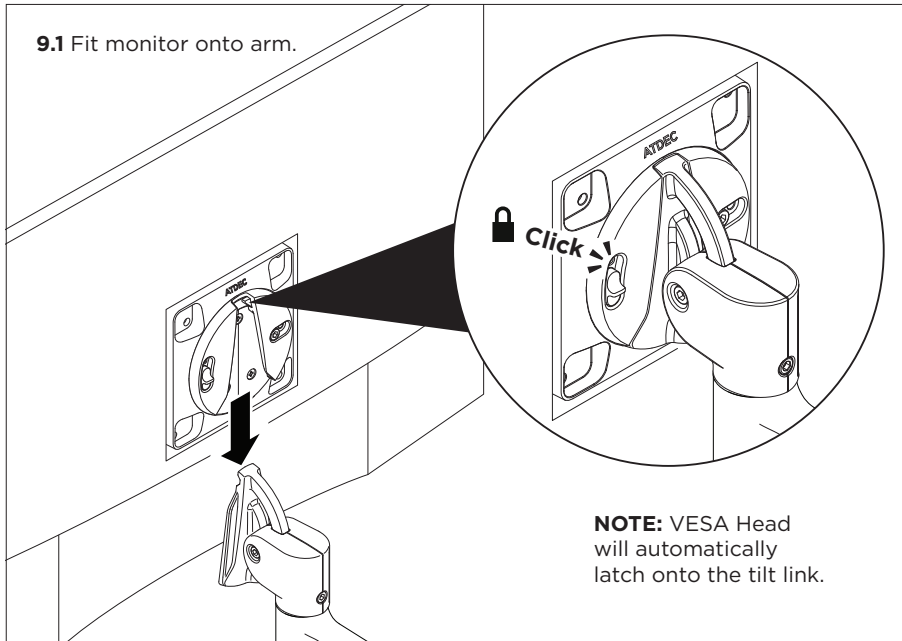
NOTE: If installation requires, monitor to be rotated upside down, mount VESA head in the alternate orientation shown.



NOTE: Logo position

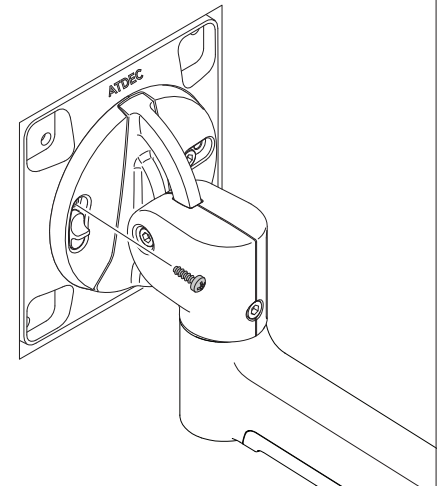
9. Attach monitors to arm

9.1 Fit monitor onto arm.



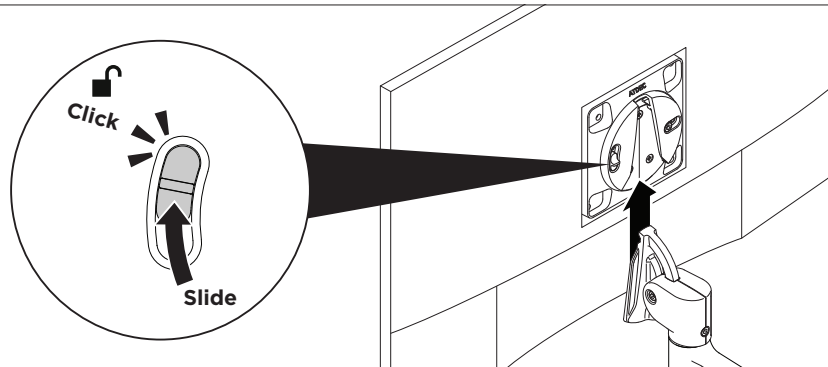
9.2 Optional Security Screw

If desired, once monitor is attached to the arm, install the security screw which disables the release switch.



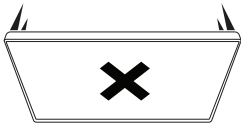
Note: Removing the monitor

To remove the monitor, slide release switch up and click into unlocked position, then lift monitor away from the arm.

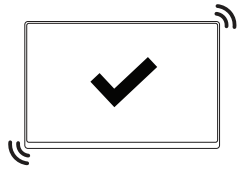


10. (OPTIONAL) Adjust tilt tension

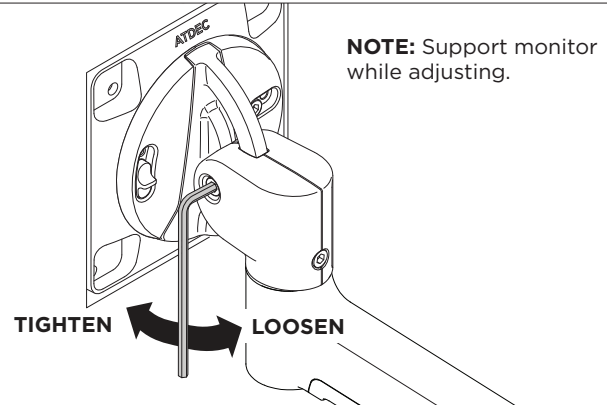
10.1 If required, adjust the tilt tension using the 4mm hex key.



DROOPS FORWARD



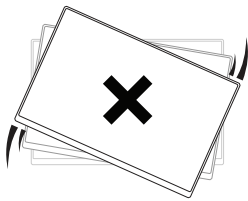
HOLDS POSITION



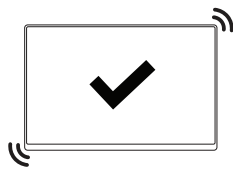
NOTE: Support monitor while adjusting.

11. (OPTIONAL) Adjust rotation tension

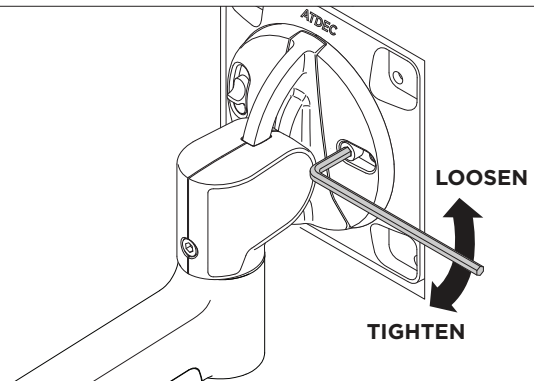
11.1 If required, adjust the rotation tension using 4mm hex key.



DRIFTS

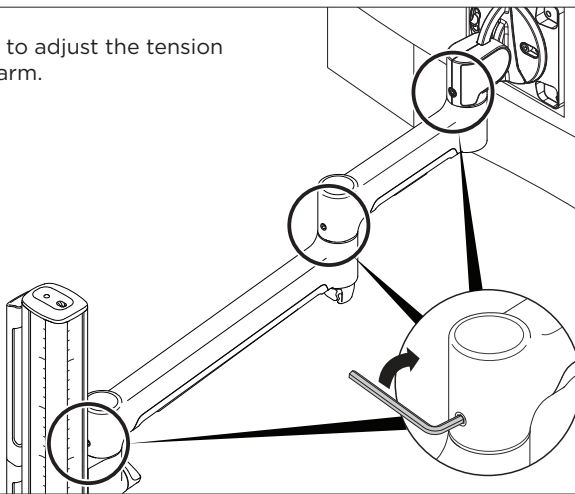


HOLDS POSITION



12. (OPTIONAL) Adjust joint tension

12.1 Use the 4mm hex key to adjust the tension of the pivot joints on the arm.



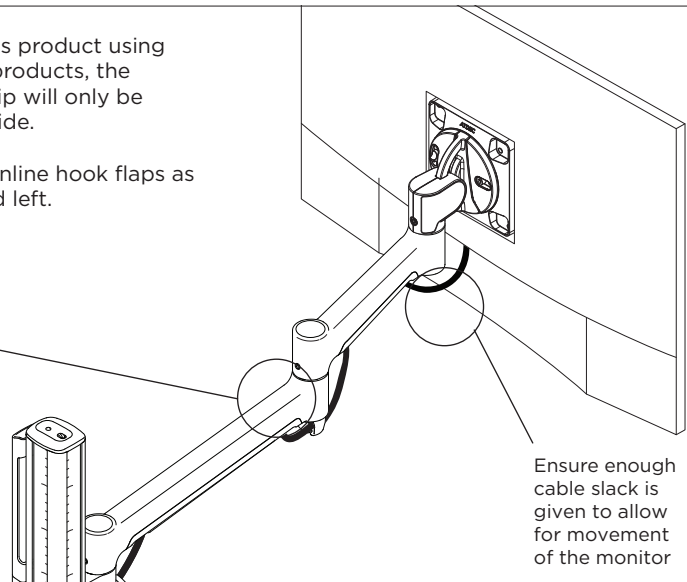
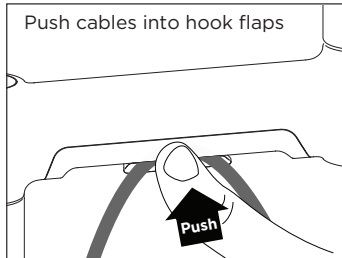
DO NOT OVERTIGHTEN
Increasing tension only stiffens movement and cannot lock off arm movement.

13. Cable management

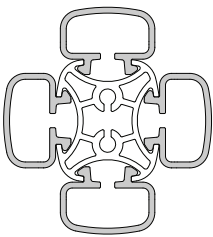
13.1 Plug cables into the monitor and route the cables down the arm using the cable hooks and clips.

NOTE: Due to this product using A46T and A71T products, the “elbow” cable cliip will only be present on one side.

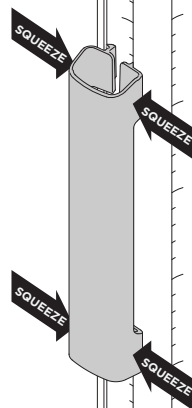
Instead, use the inline hook flaps as shown below and left.



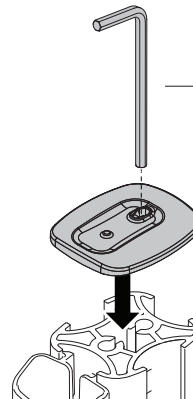
13.2 To reposition the cable cover, pull it straight up and out of the post and insert it into any of the available channels.



Optional cable cover positions



13.3 Fit post cap onto the top of the post.

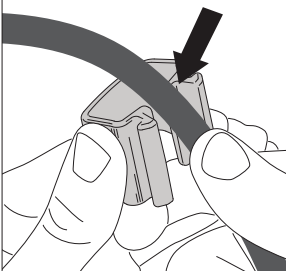


Hex Key
(supplied with
AWM Post)

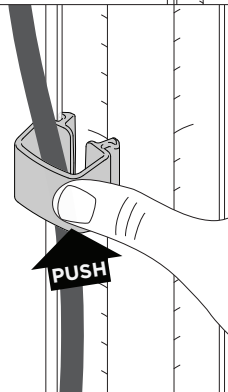
Post Cap
(Hex Key can
be stored in
the Post Cap)

Post

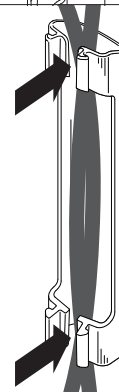
13.4 Load cables into cable clip.



13.5 Insert one side of the cable clip into the channel on the post assembly, then push in the other side.



13.6 Load cables into cable cover.



13.7 Clip the cable cover onto any of the four post channels.

